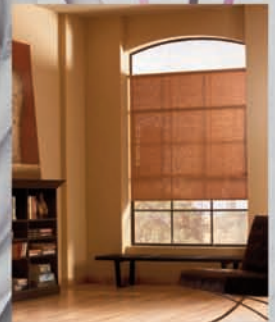




MPD

MEMORY PROTECTION DEVICES

IR Safety Sensor Beams



IR Safety Sensor Beams are general purpose IR sensors, with particular uses in entrance, elevator, and escalator applications. They effectively reduce the risk of accidental harm that results from obstructing a mechanical device. With a quick and easy install and an emphasis on safety the IR sensor beams are suitable for a wide variety of both indoor and outdoor applications.



IR Safety Sensor Beams Series	3
Available Configurations	4
General Specifications	5
Wiring Schematics	6

Product Overview

Overview	7
IR Safety Sensor Features	8

Closed Beam IR Receivers

HBRXPC15CON – NPN Normally Closed Hold Beam Receiver	10
Wiring Schematics	11
HBRXNC15 – NPN Normally Closed Hold Beam Receiver	12
Wiring Schematics	13
HBRXNC15CON – PNP Normally Closed Hold Beam Receiver	14
Wiring Schematics	15
HBRXPC15 – PNP Normally Closed Hold Beam Receiver	16
Wiring Schematics	17

Open Beam IR Receivers

HBRXPO15CON – PNP Normally Open Hold Beam Receiver	18
Wiring Schematics	19
HBRXNO15 – NPN Normally Open Hold Beam Receiver	20
Wiring Schematics	21
HBRXNO15CON – NPN Normally Open Hold Beam Receiver	22
Wiring Schematics	23
HBRXPO15 – PNP Normally Open Hold Beam Receiver	24
Wiring Schematics	25

IR Transmitters

HBTX15 – Hold Beam Transmitter	26
Wiring Schematics	27
HBTX15CON – Hold Beam Transmitter	28
Wiring Schematics	29

New Products

Recent Additions to MPD's Product Lines	30
---	----

Distributors

Distributors	31
Distributors	Back Cover



IR Safety Sensor Beams Series

The hold beams act as an obstruction or proximity detection sensors for a machine or system. Example applications include motorized garage door, gate, or window shade obstruction detection. These applications typically require UL325 compliance. The hold beams have UL325 compliance in UL File E325114. Manufacturers of equipment or machines that would use the hold beams in a UL325 application would need to know the UL "E" File number.

Other applications include proximity sensing in machinery or automated production line equipment. Machinery may be required to comply with safety standard NFPA-79, The Electrical Standard for Industrial Machinery. The hold beams comply with UL60947-1 and UL60947-5-2 which demonstrate compliance with the requirements of NFPA-79. The UL File number is E517822. Manufacturers of equipment or machines that would use the beams in an NFPA 79 factory automation or machinery application would need to know the UL "E" File number.



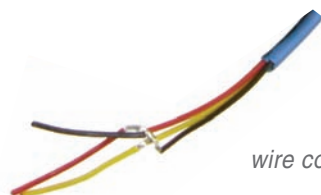
***Note that at this time the hold beams are certified by UL to UL60947 in **category NRKH** as a proximity detection sensor. The hold beams are **not currently certified** in NFPA 79 safety applications where a risk of personal injury could occur, such as **a light curtain** (category NIOZ.)

Transmitter Models: Emits Infrared Light

HBTX15, HBTX15CON. The only difference between the transmitters is that the HBTX15CON part has a 3 pin connector and HBTX15 has loose wires to connect to.



3 pin connector



wire connection

Through-beam Infrared Sensors

Hold Beam Series, TX and RX



- Entrance, elevator, and escalator controls
- Range: 0-15m
- Supply voltage: 9 to 30 VDC
- Output: 30 mA
- Operating temperature: -30°C to 70°C
- NPN or PNP types available
- Patented LED ring indicator
- Patented adaptive power technology
- Noise immunity
- Available with or without cable connector
- UL325 approved

Product Description

The MPD HB series beams are a family of general purpose IR sensors, with particular applications in entrance, elevator, and escalator applications. The “quick install” enclosure makes setup simple - just push the beam into a 12mm diameter hole drilled into the wall and it will snap into place. The IP65 housing makes the beams suitable for a wide variety of both indoor and outdoor applications.

Available Configurations

Part #	Tx/Rx	Output	Contact	Termination
HBTX15	Transmitter	N/A	N/A	Wire Leads
HBTX15CON	Transmitter	N/A	N/A	Connector
HBRXNO15	Receiver	NPN	Normally Open	Wire Leads
HBRXNO15CON	Receiver	NPN	Normally Open	Connector
HBRXNC15	Receiver	NPN	Normally Closed	Wire Leads
HBRXNC15CON	Receiver	NPN	Normally Closed	Connector
HBRXPO15	Receiver	PNP	Normally Open	Wire Leads
HBRXPO15CON	Receiver	PNP	Normally Open	Connector
HBRXPC15	Receiver	PNP	Normally Closed	Wire Leads
HBRXPC15CON	Receiver	PNP	Normally Closed	Connector

NOTE: Transmitter and Receiver ordered separately

Specifications subject to change without notice (9652-401 Rev 1)

General Specifications

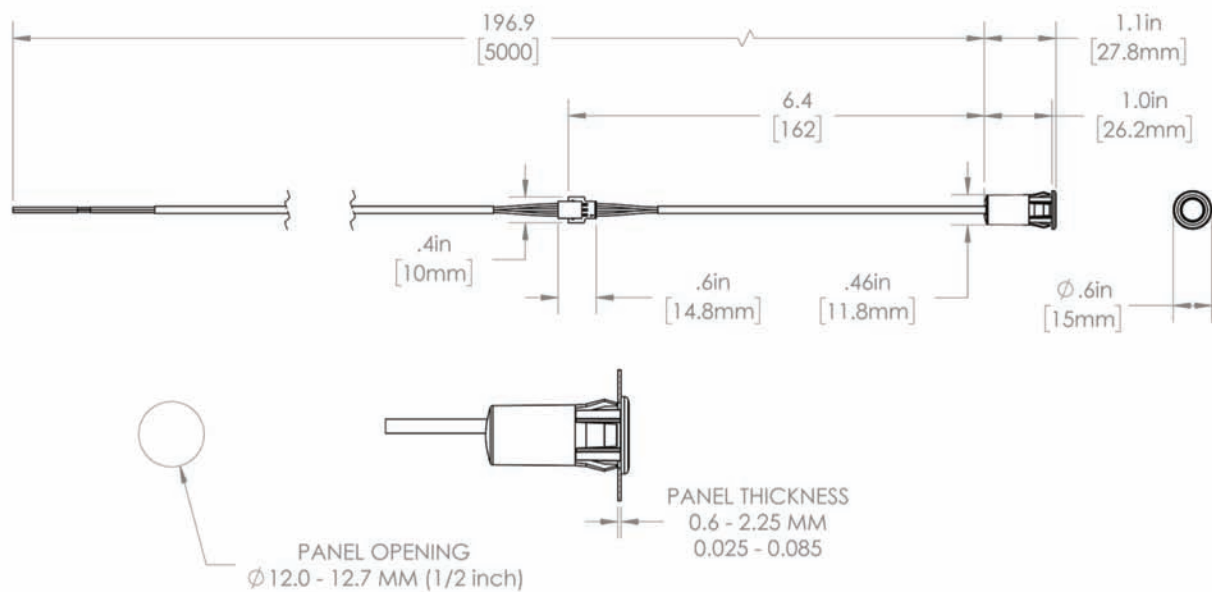
Environment	
Overvoltage Capacity	Category III
Pollution degree	3
Degree of protection	IP65 (IEC60529)
Temperature	
Operating	-25° to 60° C
Storage	-40° to 60° C
Voltage Protection	
Rated Insulation Voltage	75 VDC
Dielectric Test Voltage	500 VAC RMS (EN60947-1)
ESPE	Type 2
Electrostatic Discharge	
Contact	≥ 4KV (IEC61000-4-2)
Air	≥ 8KV (IEC61000-4-2)
Impact	
Drop Test	4 foot drop test
Side Impact	Swinging Ball (UL746 sec 57)
Certifications	UL325: E325114 UL60947-1 / 5-2: E517822 CSA C22.2 No. 60947-1-13 CSA C22.2 No 60947-5-2-14 RoHS, REACH Compliant
Patents	#10,386,226 #10,627,286

Emitter Specifications

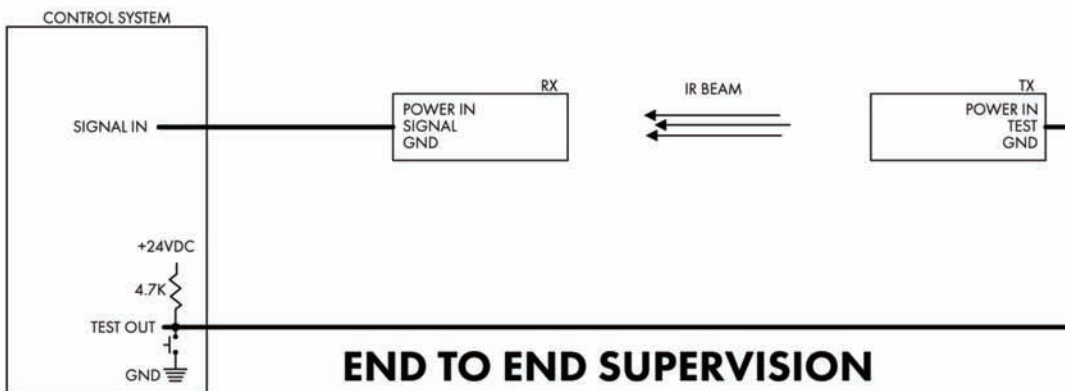
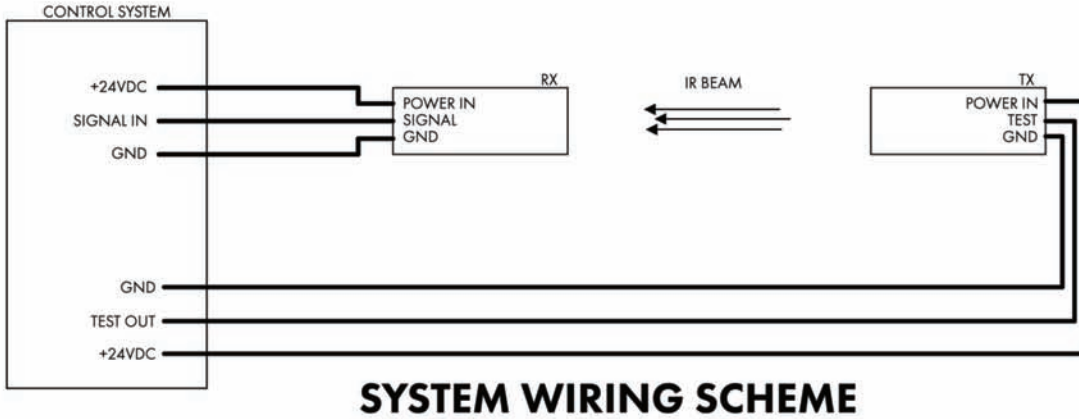
Rated Operating Voltage	10-30 VDC
Supply Current	≤ 20 mA
Light	
Source	IR LED, 950nm
Type	IR, Modulated
Spot	950 mm @ 10m
Ring Indicator	
Normal operation	Green, on continuous
Mute function	Green flash

Receiver Specifications

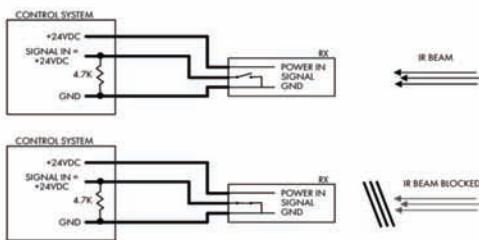
Rated Operating Distance	15m
Blind Zone	None
Rated Operating Voltage	10-30 VDC
Supply Current	
No load	≤ 10 mA
Continuous	≤ 38 mA
Protection	Reverse Polarity ESD
Utility Categories	DC12 DC13
Detection	±4° @ 6.5m
Ring Indicator	
Receiving Signal	Amber, on continuous
Signal Loss	Off



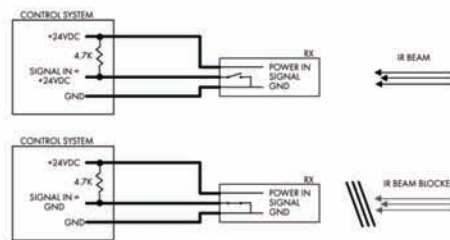
Specifications subject to change without notice (9652-401 Rev 1)



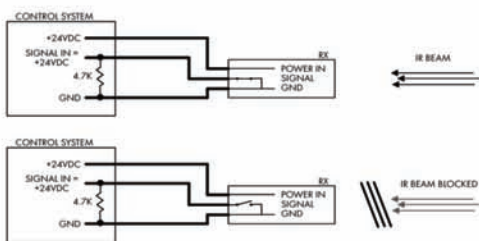
STEP 1: TEST OUT = FLOATING OR 24VDC, TURNS ON TX IR BEAM.
 STEP 2: CONTROL SYSTEM DETECTS SIGNAL IN ENABLED.
 STEP 3: TEST OUT = GND, TURNS OFF TX IR BEAM.
 STEP 4: CONTROL SYSTEM DETECTS SIGNAL IN DISABLED.



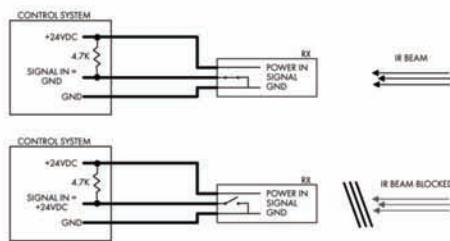
P TYPE - NORMALLY CLOSED



N TYPE - NORMALLY CLOSED



P TYPE - NORMALLY OPEN



N TYPE - NORMALLY OPEN

Safety Sensor IR Beams Advantages



Application Features:

- UL 325 Tested (garage door and pedestrian gate applications)
- 15M Long Range Sensing Distance (large opening applications)
- Weather insulated design (IP67 and potted for outdoor applications)
- Patented Reflection Rejection technology (excellent in sunny applications)
- Noise Immunity (RF shielding)

Functional Features:

- Patented LED alignment identification (makes installation easier)
- Quick-connect wires (makes field replacement easy)
- Can be mis-aligned up to 5 degrees and still function
- NPN, PNP, NO, and NC options
- 15m Sensing distance
- 10-30 VDC Modulated Infrared

Mechanical Features:

- Impact resistant plastic (less breakage in the field)
- UL2547 Wires (Suitable to install in aluminum frame)
- Quick install design features (plastic features on housing for press fit installation)
- 15ft in cable length
- Cylindrical Polycarbonate housing
- Optional Connector
- Mounting Bracket options available

Unique Features:

The hold beams we have developed employ a unique feature as compared to that of our competitors:

When the hold beams are aligned, and there is no obstruction, the receiver emits a continuous amber light to indicate that status to the installer. If there is a signal loss due to an obstruction, or if the beams are misaligned, the amber light will be turned off. This is a troubleshooting aid. Conversely, the emitter utilizes a green light that is continuously on during normal operations. When the "mute" function is engaged the green light will flash.

Competitors' receivers illuminate an LED in the side of the receiver, that is in a plane perpendicular to the front cover. This means that after installation in a door jamb, an installer cannot see the light and must either remove the receiver from the door jamb or troubleshoot in a different, more difficult way. MPD's units alleviate any such line-of-sight complications.



IR (Infrared) Receiver Safety Sensors (detect infrared light)



HBRXPC15CON

PNP Normally Closed Hold Beam Receiver with 3 Pin Connector

closed beam



HBRXNC15

NPN Normally Closed Hold Beam Receiver with Wire Connection

closed beam



HBRXNC15CON

NPN Normally Closed Hold Beam Receiver with 3 Pin Connector

closed beam



HBRXPC15

PNP Normally Closed Hold Beam Receiver with Wire Connection

closed beam



IR (Infrared) Transmitters (emit infrared light)



HBTX15

Hold Beam Transmitter with Wire Connection



HBTX15CON

Hold Beam Transmitter with 3 Pin Connector



IR (Infrared) Receiver Safety Sensors (detect infrared light)



HBRXPO15CON

PNP Normally Open Hold Beam Receiver with 3 Pin Connector



open beam



HBRXNO15

NPN Normally Open Hold Beam Receiver with Wire Connection



open beam



HBRXNO15CON

NPN Normally Open Hold Beam Receiver with 3 Pin Connector



open beam



HBRXPO15

PNP Normally Open Hold Beam Receiver with Wire Connection



open beam



The MPD HBRX series is a family of general purpose IR Sensors and Receivers. The "quick install" enclosure makes setup simple – just push the beam into a 12mm diameter hole drilled into the wall and it will snap into place. The IP65 housing makes the beams suitable for a wide variety of both indoor and outdoor applications.

IR Safety Sensors Features:

- Entrance, elevator and escalator controls
- Range: 0-15m
- Supply voltage: 9 to 30 VDC
- Output: 30 mA
- Operating temperature: -30°C to 70°C
- NPN or PNP types available
- Patented LED ring indicator
- Patented adaptive power technology
- Noise immunity
- Available with or without cable connector
- UL325 approved
- Ship qty.: 500 or 1,000 (in 100 pc. bags)

HBRXNC15CON

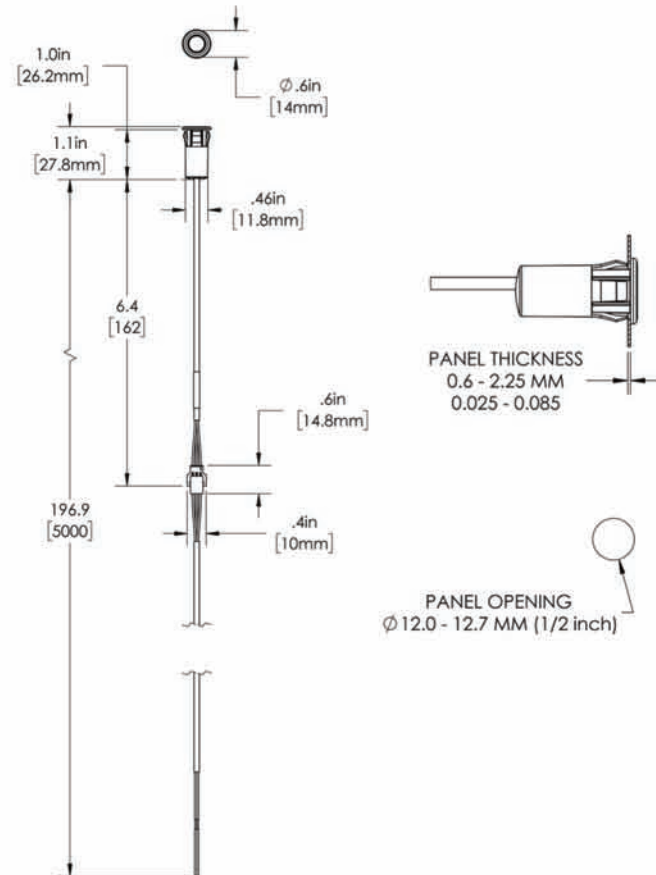
NPN Normally Closed Hold Beam Receiver



- Entrance, elevator, and escalator controls
- Range: 0-15m
- Supply voltage: 9 to 30 VDC
- Output: 30 mA
- Operating temperature: -30°C to 70°C
- NPN or PNP types available
- Patented LED ring indicator
- Patented adaptive power technology
- Noise immunity
- Available with or without cable connector
- UL325 approved

Product Description

The MPD HB series beams are a family of general purpose IR sensors, with particular applications in entrance, elevator, and escalator applications. The "quick install" enclosure makes setup simple - just push the beam into a 12mm diameter hole drilled into the wall and it will snap into place. The IP65 housing makes the beams suitable for a wide variety of both indoor and outdoor applications.



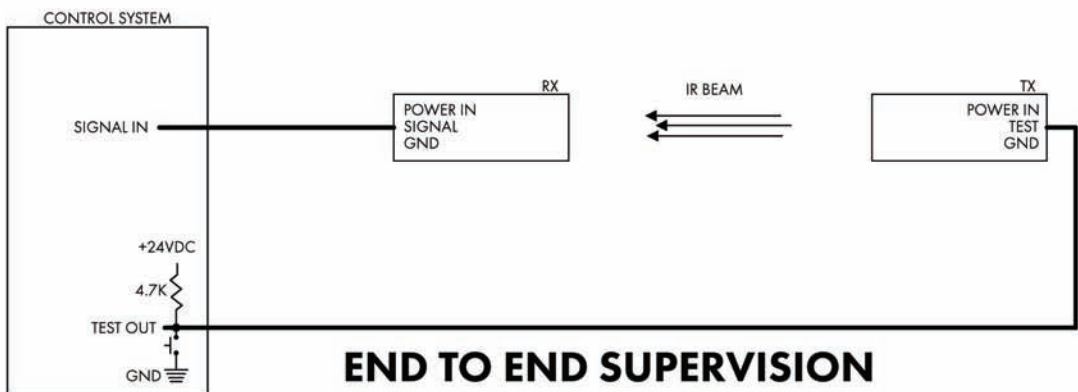
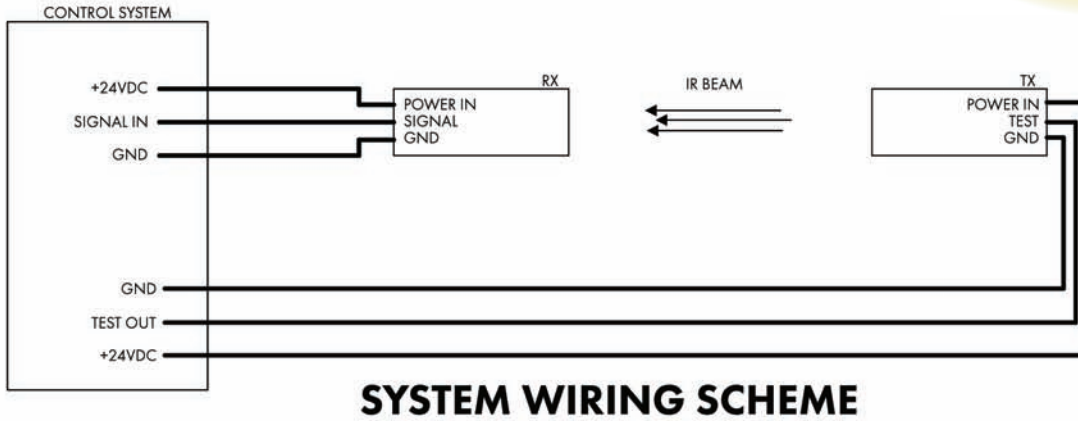
Specifications subject to change without notice (9652-401 Rev 1)

General Specifications

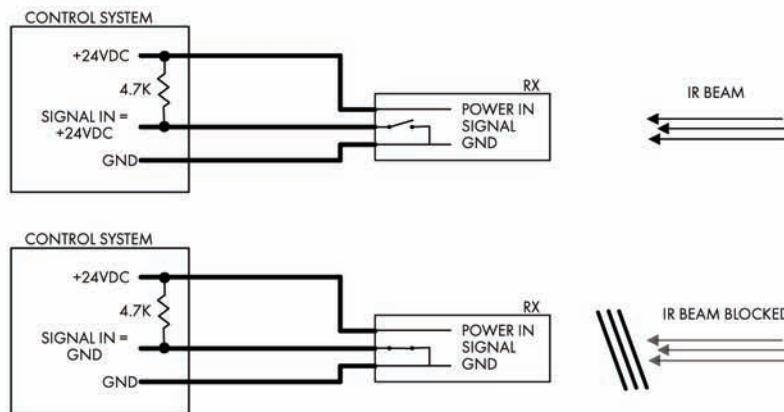
Environment	Overvoltage Capacity Pollution degree Degree of protection	Category III 3 IP65 (IEC60529)
Temperature	Operating Storage	-25° to 60° C -40° to 60° C
Voltage Protection	Rated Insulation Voltage Dielectric Test Voltage	75 VDC 500 VAC RMS (EN60947-1)
ESPE		Type 2
Electrostatic Discharge	Contact Air	≥ 4KV (IEC61000-4-2) ≥ 8KV (IEC61000-4-2)
Impact	Drop Test Side Impact	4 foot drop test Swinging Ball (UL746 sec 57)
Certifications		UL325: E325114 UL60947-1 / 5-2: E517822 CSA C22.2 No. 60947 RoHS and REACH Compliant

Receiver Specifications

Rated Operating Distance	15m	
Blind Zone	None	
Rated Operating Voltage	10-30 VDC	
Supply Current	No load Continuous	≤ 10 mA ≤ 38 mA
Protection		Reverse Polarity ESD
Utility Categories		DC12 DC13
Detection		±4° @ 6.5m



STEP 1: TEST OUT = FLOATING OR 24VDC, TURNS ON TX IR BEAM.
 STEP 2: CONTROL SYSTEM DETECTS SIGNAL IN ENABLED.
 STEP 3: TEST OUT = GND, TURNS OFF TX IR BEAM.
 STEP 4: CONTROL SYSTEM DETECTS SIGNAL IN DISABLED.



HBRXNC15

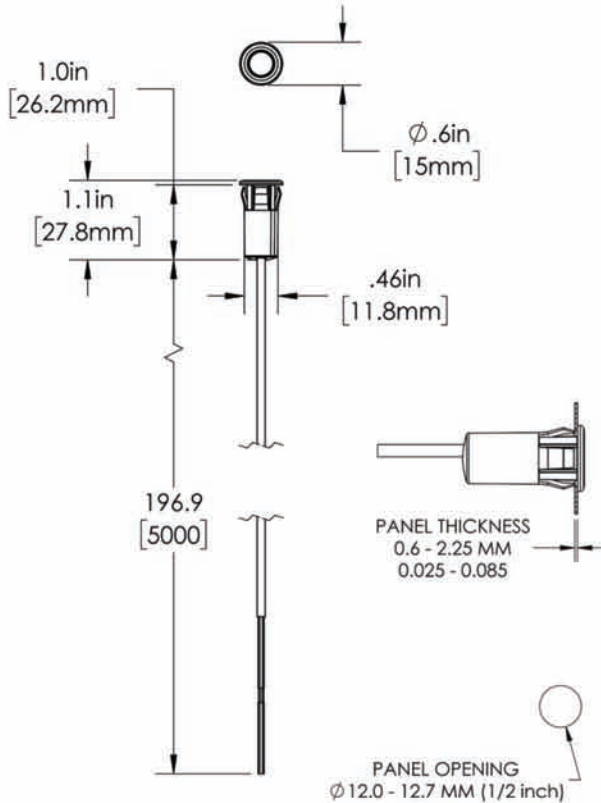
NPN Normally Closed Hold Beam Receiver



- Entrance, elevator, and escalator controls
- Range: 0-15m
- Supply voltage: 9 to 30 VDC
- Output: 30 mA
- Operating temperature: -30°C to 70°C
- NPN or PNP types available
- Patented LED ring indicator
- Patented adaptive power technology
- Noise immunity
- Available with or without cable connector
- UL325 approved

Product Description

The MPD HB series beams are a family of general purpose IR sensors, with particular applications in entrance, elevator, and escalator applications. The “quick install” enclosure makes setup simple - just push the beam into a 12mm diameter hole drilled into the wall and it will snap into place. The IP65 housing makes the beams suitable for a wide variety of both indoor and outdoor applications.



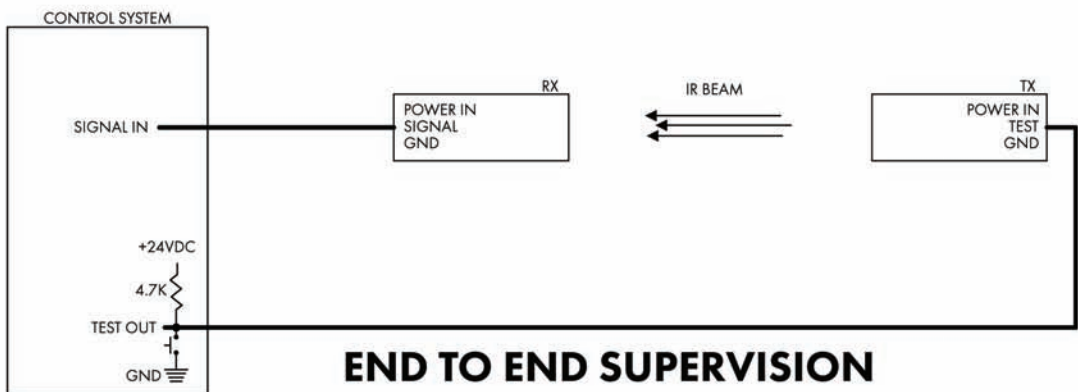
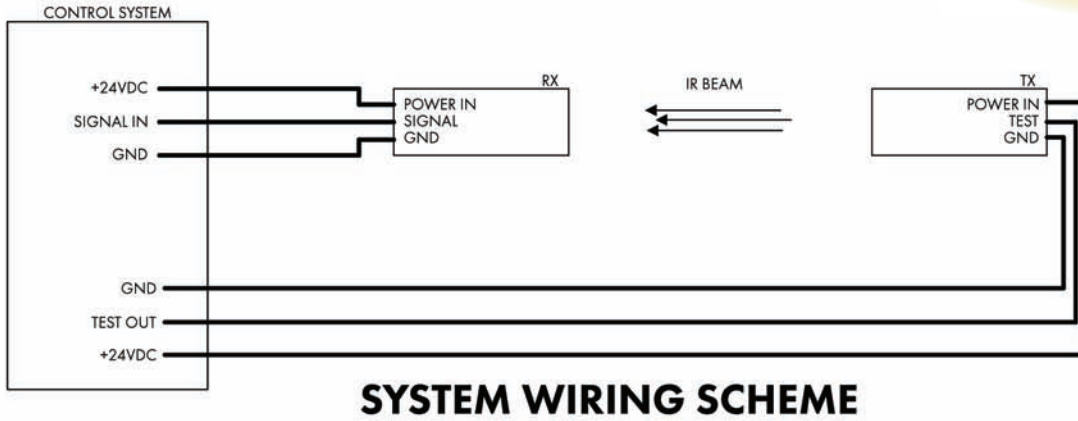
General Specifications

Environment	Overvoltage Capacity Pollution degree Degree of protection	Category III 3 IP65 (IEC60529)
Temperature	Operating Storage	-25° to 60° C -40° to 60° C
Voltage Protection	Rated Insulation Voltage Dielectric Test Voltage	75 VDC 500 VAC RMS (EN60947-1)
ESPE		Type 2
Electrostatic Discharge	Contact Air	≥ 4KV (IEC61000-4-2) ≥ 8KV (IEC61000-4-2)
Impact	Drop Test Side Impact	4 foot drop test Swinging Ball (UL746 sec 57)
Certifications		UL325: E325114 UL60947-1 / 5-2: E517822 CSA C22.2 No. 60947 RoHS and REACH Compliant

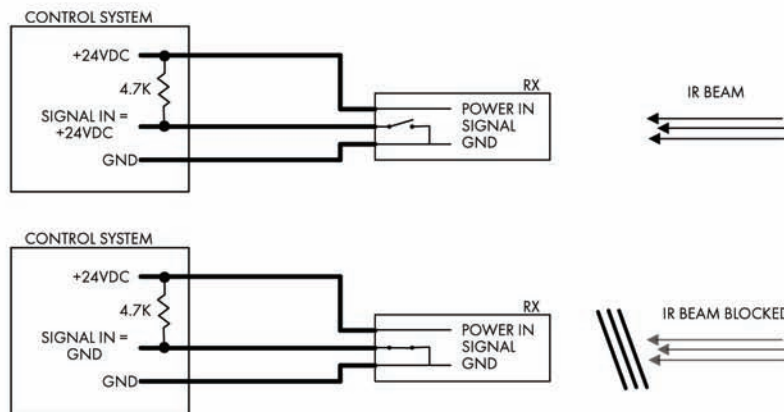
Receiver Specifications

Rated Operating Distance	15m	
Blind Zone	None	
Rated Operating Voltage	10-30 VDC	
Supply Current	No load Continuous	≤ 10 mA ≤ 38 mA
Protection		Reverse Polarity ESD
Utility Categories		DC12 DC13
Detection		±4° @ 6.5m

Specifications subject to change without notice (9652-401 Rev 1)



STEP 1: TEST OUT = FLOATING OR 24VDC, TURNS ON TX IR BEAM.
 STEP 2: CONTROL SYSTEM DETECTS SIGNAL IN ENABLED.
 STEP 3: TEST OUT = GND, TURNS OFF TX IR BEAM.
 STEP 4: CONTROL SYSTEM DETECTS SIGNAL IN DISABLED.



HBRXPC15CON

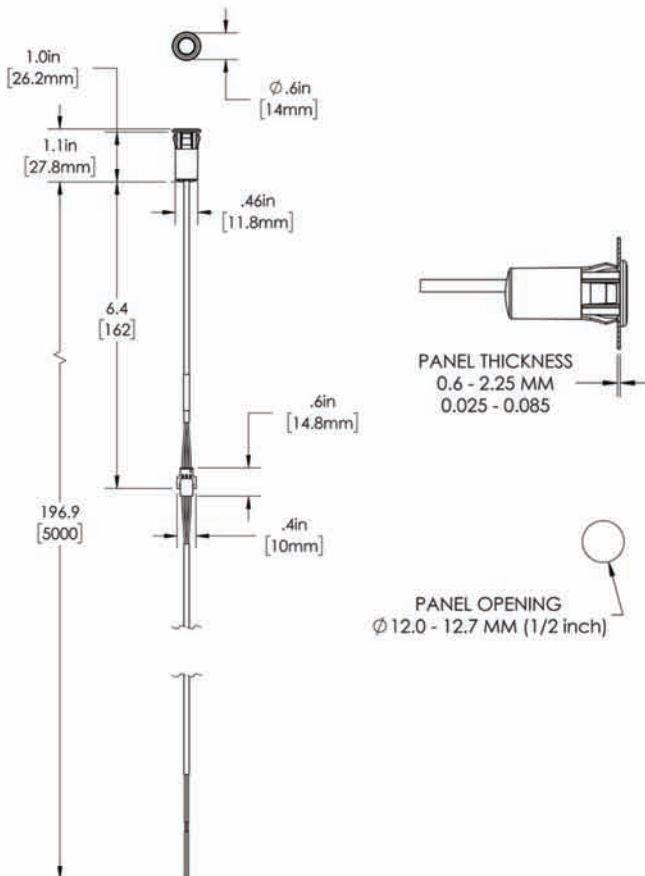
PNP Normally Closed Hold Beam Receiver



- Entrance, elevator, and escalator controls
- Range: 0-15m
- Supply voltage: 9 to 30 VDC
- Output: 30 mA
- Operating temperature: -30°C to 70°C
- NPN or PNP types available
- Patented LED ring indicator
- Patented adaptive power technology
- Noise immunity
- Available with or without cable connector
- UL325 approved

Product Description

The MPD HB series beams are a family of general purpose IR sensors, with particular applications in entrance, elevator, and escalator applications. The "quick install" enclosure makes setup simple - just push the beam into a 12mm diameter hole drilled into the wall and it will snap into place. The IP65 housing makes the beams suitable for a wide variety of both indoor and outdoor applications.



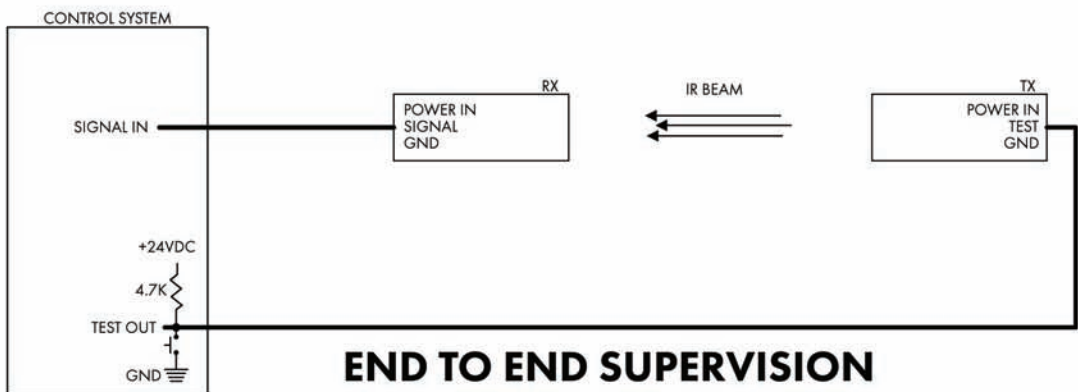
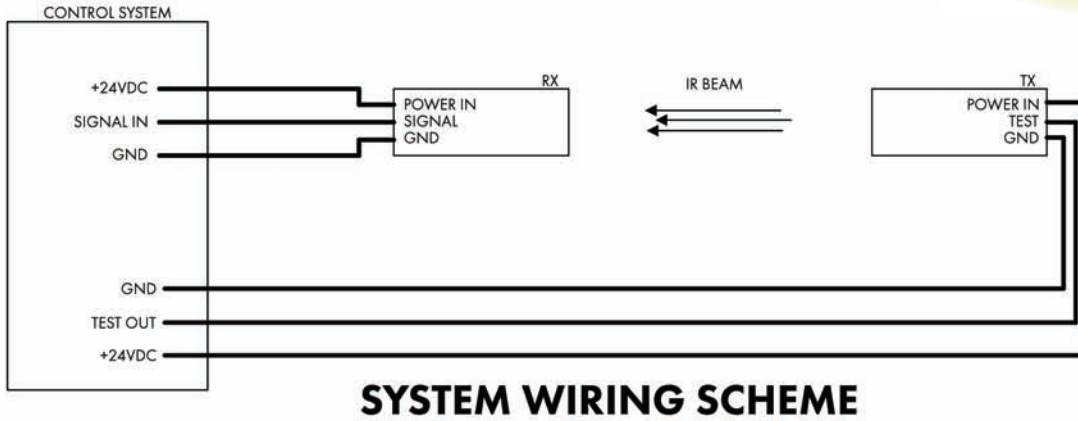
Specifications subject to change without notice (9652-401 Rev 1)

General Specifications

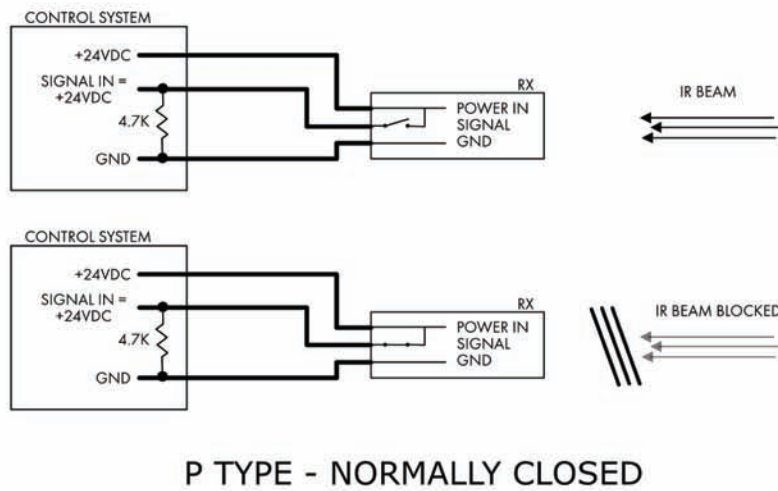
Environment	Overvoltage Capacity Pollution degree Degree of protection	Category III 3 IP65 (IEC60529)
Temperature	Operating Storage	-25° to 60° C -40° to 60° C
Voltage Protection	Rated Insulation Voltage Dielectric Test Voltage	75 VDC 500 VAC RMS (EN60947-1)
ESPE		Type 2
Electrostatic Discharge	Contact Air	≥ 4KV (IEC61000-4-2) ≥ 8KV (IEC61000-4-2)
Impact	Drop Test Side Impact	4 foot drop test Swinging Ball (UL746 sec 57)
Certifications		UL325: E325114 UL60947-1 / 5-2: E517822 CSA C22.2 No. 60947 RoHS and REACH Compliant

Receiver Specifications

Rated Operating Distance	15m	
Blind Zone	None	
Rated Operating Voltage	10-30 VDC	
Supply Current	No load Continuous	≤ 10 mA ≤ 38 mA
Protection	Reverse Polarity ESD	
Utility Categories	DC12 DC13	
Detection	±4° @ 6.5m	



- STEP 1: TEST OUT = FLOATING OR 24VDC, TURNS ON TX IR BEAM.
- STEP 2: CONTROL SYSTEM DETECTS SIGNAL IN ENABLED.
- STEP 3: TEST OUT = GND, TURNS OFF TX IR BEAM.
- STEP 4: CONTROL SYSTEM DETECTS SIGNAL IN DISABLED.



HBRXPC15

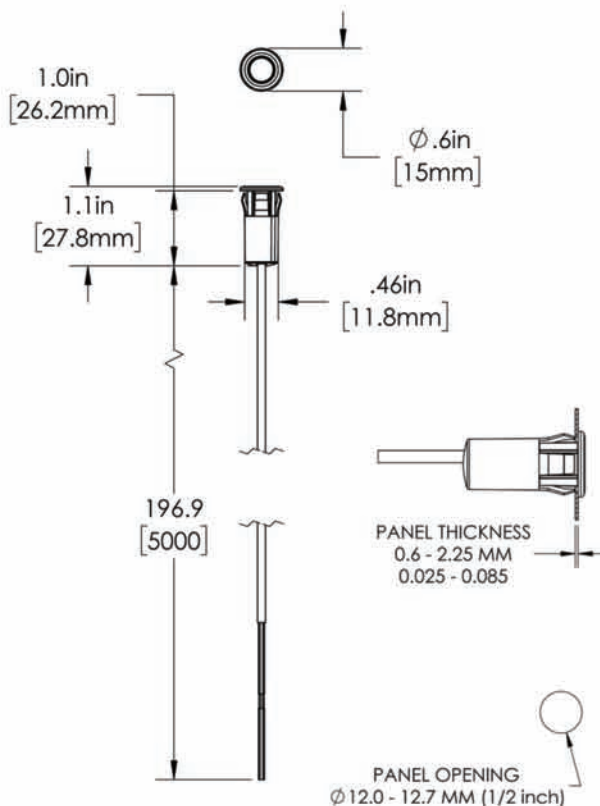
PNP Normally Closed Hold Beam Receiver



- Entrance, elevator, and escalator controls
- Range: 0-15m
- Supply voltage: 9 to 30 VDC
- Output: 30 mA
- Operating temperature: -30°C to 70°C
- NPN or PNP types available
- Patented LED ring indicator
- Patented adaptive power technology
- Noise immunity
- Available with or without cable connector
- UL325 approved

Product Description

The MPD HB series beams are a family of general purpose IR sensors, with particular applications in entrance, elevator, and escalator applications. The "quick install" enclosure makes setup simple - just push the beam into a 12mm diameter hole drilled into the wall and it will snap into place. The IP65 housing makes the beams suitable for a wide variety of both indoor and outdoor applications.



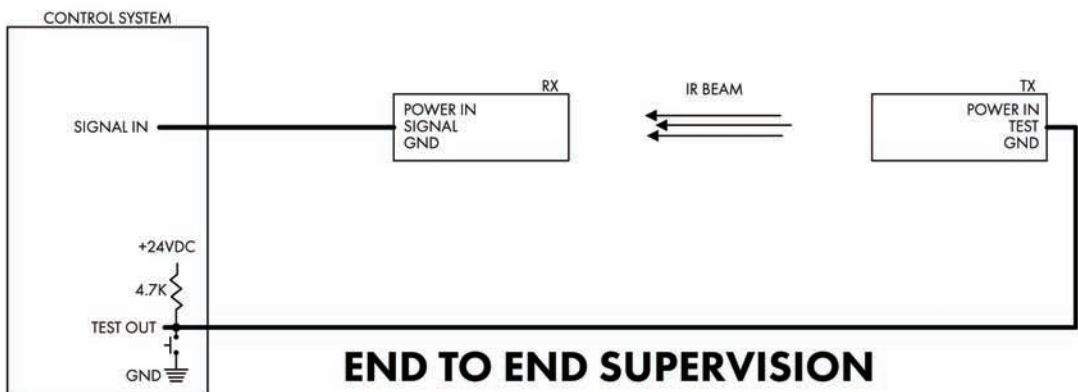
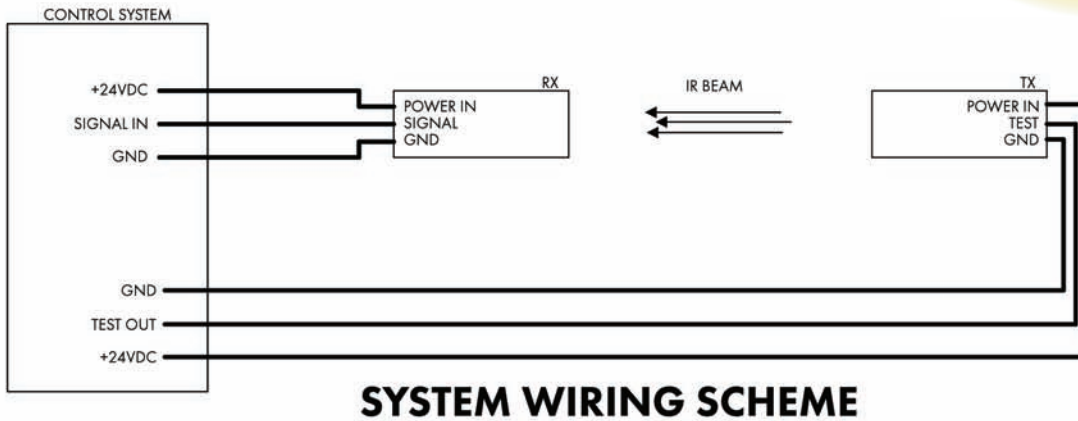
General Specifications

Environment	Overvoltage Capacity Pollution degree Degree of protection	Category III 3 IP65 (IEC60529)
Temperature	Operating Storage	-25° to 60° C -40° to 60° C
Voltage Protection	Rated Insulation Voltage Dielectric Test Voltage	75 VDC 500 VAC RMS (EN60947-1)
ESPE		Type 2
Electrostatic Discharge	Contact Air	≥ 4KV (IEC61000-4-2) ≥ 8KV (IEC61000-4-2)
Impact	Drop Test Side Impact	4 foot drop test Swinging Ball (UL746 sec 57)
Certifications		UL325: E325114 UL60947-1 / 5-2: E517822 CSA C22.2 No. 60947 RoHS and REACH Compliant

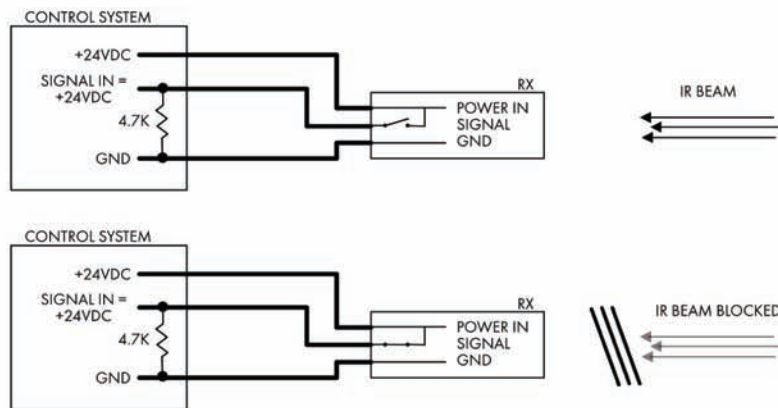
Receiver Specifications

Rated Operating Distance	15m	
Blind Zone	None	
Rated Operating Voltage	10-30 VDC	
Supply Current	No load Continuous	≤ 10 mA ≤ 38 mA
Protection	Reverse Polarity ESD	
Utility Categories	DC12 DC13	
Detection	±4° @ 6.5m	

Specifications subject to change without notice (9652-401 Rev 1)



- STEP 1: TEST OUT = FLOATING OR 24VDC, TURNS ON TX IR BEAM.
- STEP 2: CONTROL SYSTEM DETECTS SIGNAL IN ENABLED.
- STEP 3: TEST OUT = GND, TURNS OFF TX IR BEAM.
- STEP 4: CONTROL SYSTEM DETECTS SIGNAL IN DISABLED.



HBRXPO15CON

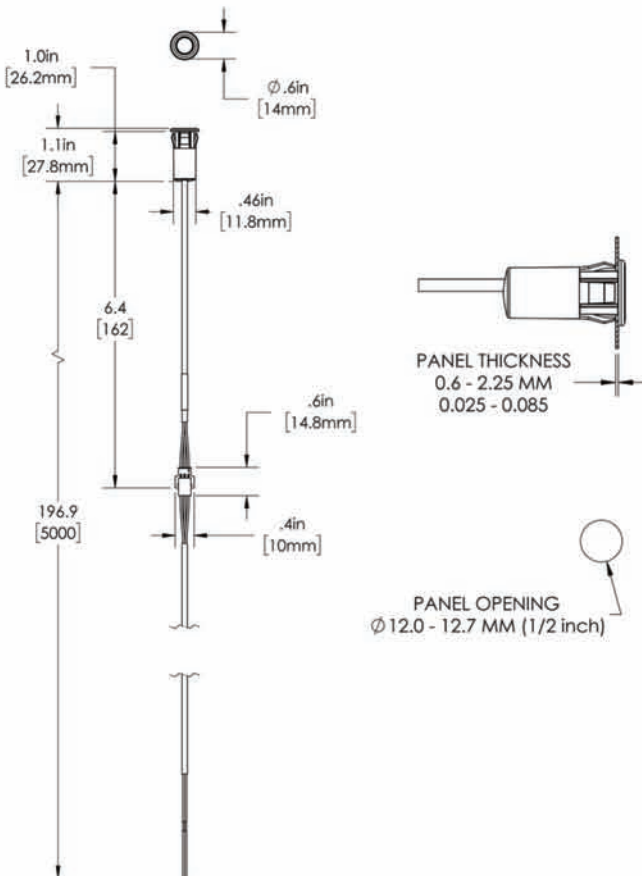
PNP Normally Open Hold Beam Receiver



- Entrance, elevator, and escalator controls
- Range: 0-15m
- Supply voltage: 9 to 30 VDC
- Output: 30 mA
- Operating temperature: -30°C to 70°C
- NPN or PNP types available
- Patented LED ring indicator
- Patented adaptive power technology
- Noise immunity
- Available with or without cable connector
- UL325 approved

Product Description

The MPD HB series beams are a family of general purpose IR sensors, with particular applications in entrance, elevator, and escalator applications. The "quick install" enclosure makes setup simple - just push the beam into a 12mm diameter hole drilled into the wall and it will snap into place. The IP65 housing makes the beams suitable for a wide variety of both indoor and outdoor applications.



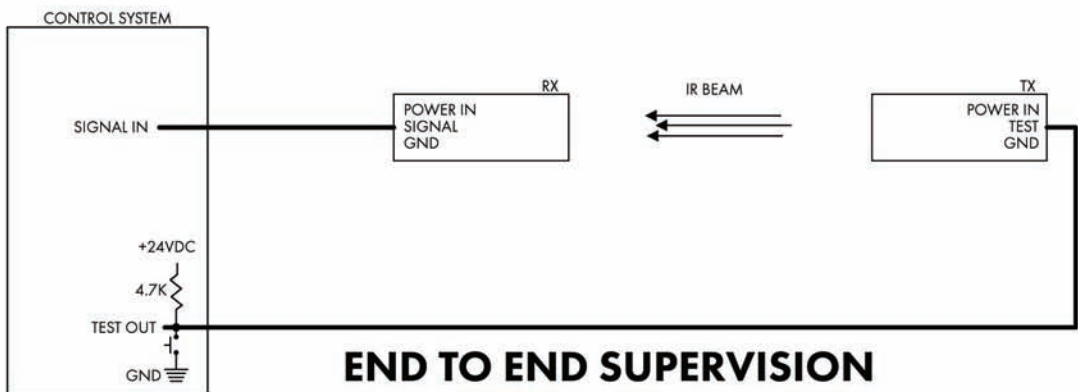
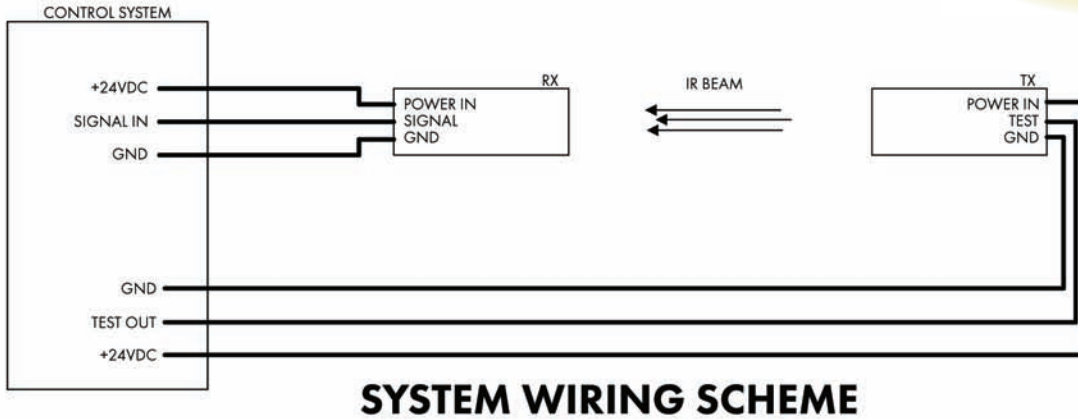
Specifications subject to change without notice (9652-401 Rev 1)

General Specifications

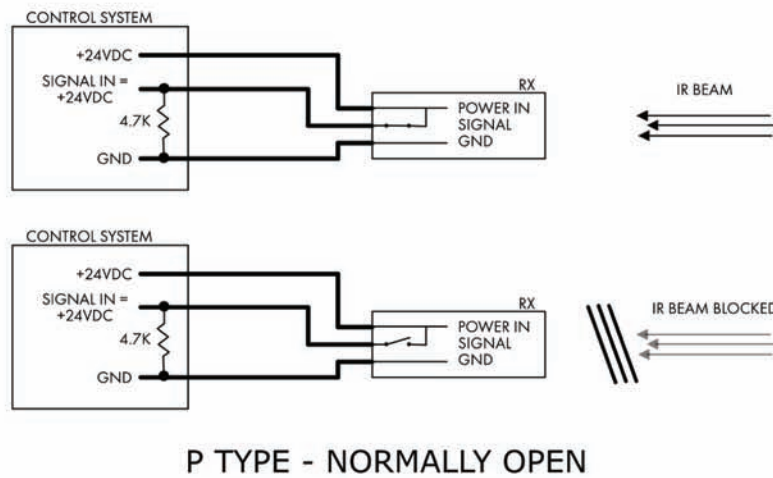
Environment	Overvoltage Capacity Pollution degree Degree of protection	Category III 3 IP65 (IEC60529)
Temperature	Operating Storage	-25° to 60° C -40° to 60° C
Voltage Protection	Rated Insulation Voltage Dielectric Test Voltage	75 VDC 500 VAC RMS (EN60947-1)
ESPE		Type 2
Electrostatic Discharge	Contact Air	≥ 4KV (IEC61000-4-2) ≥ 8KV (IEC61000-4-2)
Impact	Drop Test Side Impact	4 foot drop test Swinging Ball (UL746 sec 57)
Certifications		UL325: E325114 UL60947-1 / 5-2: E517822 CSA C22.2 No. 60947 RoHS and REACH Compliant

Receiver Specifications

Rated Operating Distance	15m	
Blind Zone	None	
Rated Operating Voltage	10-30 VDC	
Supply Current	No load Continuous	≤ 10 mA ≤ 38 mA
Protection	Reverse Polarity ESD	
Utility Categories	DC12 DC13	
Detection	±4° @ 6.5m	



- STEP 1: TEST OUT = FLOATING OR 24VDC, TURNS ON TX IR BEAM.
- STEP 2: CONTROL SYSTEM DETECTS SIGNAL IN ENABLED.
- STEP 3: TEST OUT = GND, TURNS OFF TX IR BEAM.
- STEP 4: CONTROL SYSTEM DETECTS SIGNAL IN DISABLED.



HBRXNO15

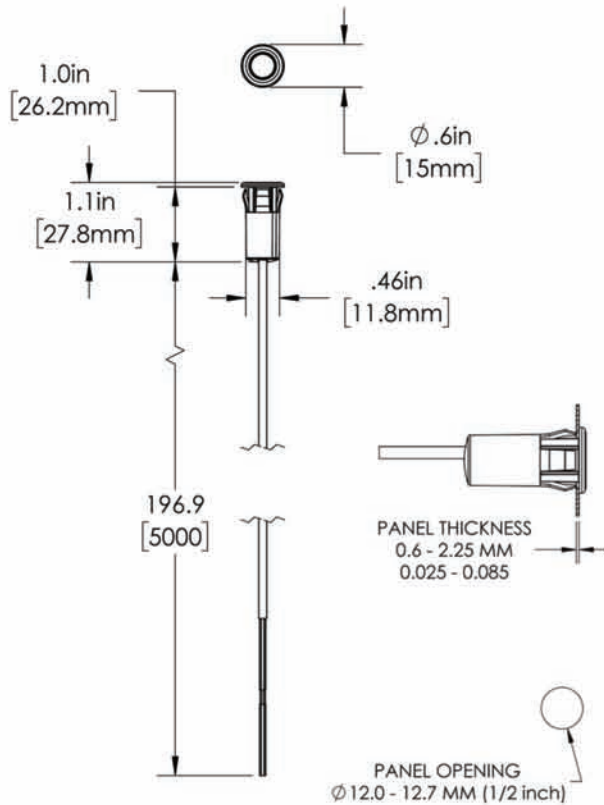
NPN Normally Open Hold Beam Receiver



- Entrance, elevator, and escalator controls
- Range: 0-15m
- Supply voltage: 9 to 30 VDC
- Output: 30 mA
- Operating temperature: -30°C to 70°C
- NPN or PNP types available
- Patented LED ring indicator
- Patented adaptive power technology
- Noise immunity
- Available with or without cable connector
- UL325 approved

Product Description

The MPD HB series beams are a family of general purpose IR sensors, with particular applications in entrance, elevator, and escalator applications. The "quick install" enclosure makes setup simple - just push the beam into a 12mm diameter hole drilled into the wall and it will snap into place. The IP65 housing makes the beams suitable for a wide variety of both indoor and outdoor applications.



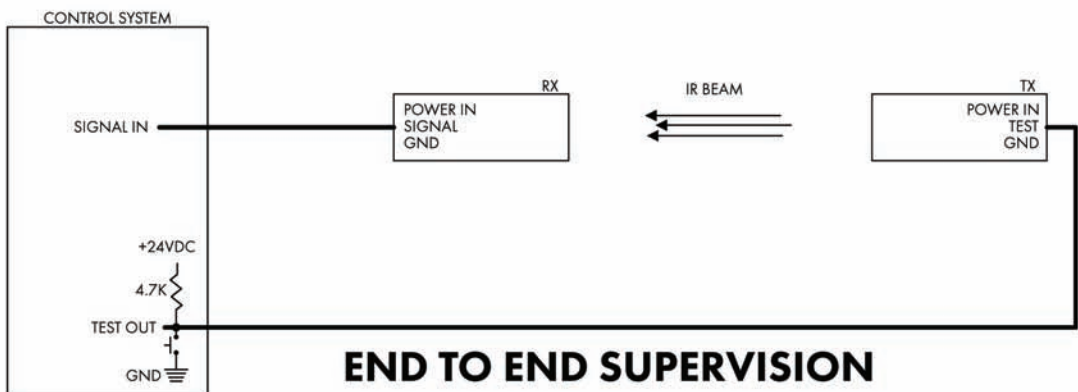
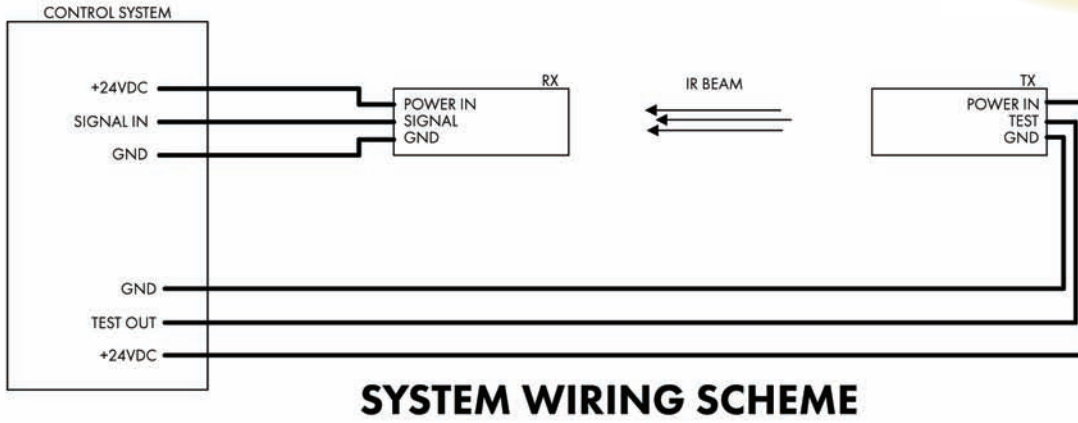
Specifications subject to change without notice (9652-401 Rev 1)

General Specifications

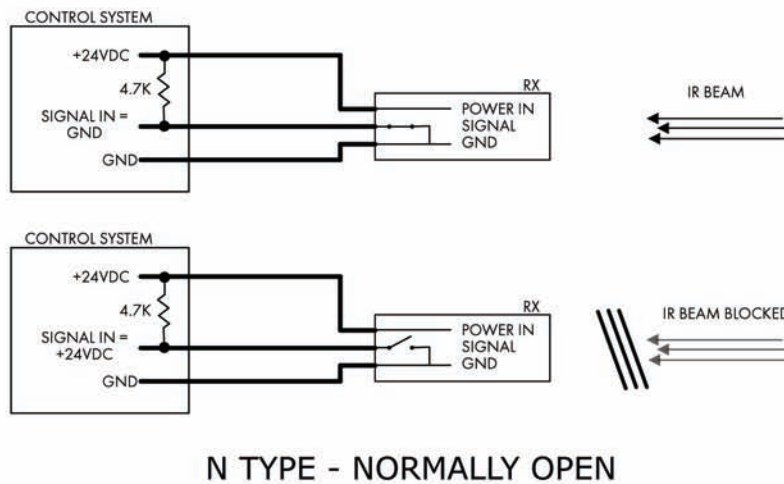
Environment	Overvoltage Capacity Pollution degree Degree of protection	Category III 3 IP65 (IEC60529)
Temperature	Operating Storage	-25° to 60° C -40° to 60° C
Voltage Protection	Rated Insulation Voltage Dielectric Test Voltage	75 VDC 500 VAC RMS (EN60947-1)
ESPE		Type 2
Electrostatic Discharge	Contact Air	≥ 4KV (IEC61000-4-2) ≥ 8KV (IEC61000-4-2)
Impact	Drop Test Side Impact	4 foot drop test Swinging Ball (UL746 sec 57)
Certifications		UL325: E325114 UL60947-1 / 5-2: E517822 CSA C22.2 No. 60947 RoHS and REACH Compliant

Receiver Specifications

Rated Operating Distance	15m	
Blind Zone	None	
Rated Operating Voltage	10-30 VDC	
Supply Current	No load Continuous	≤ 10 mA ≤ 38 mA
Protection	Reverse Polarity ESD	
Utility Categories	DC12 DC13	
Detection	±4° @ 6.5m	



- STEP 1: TEST OUT = FLOATING OR 24VDC, TURNS ON TX IR BEAM.
- STEP 2: CONTROL SYSTEM DETECTS SIGNAL IN ENABLED.
- STEP 3: TEST OUT = GND, TURNS OFF TX IR BEAM.
- STEP 4: CONTROL SYSTEM DETECTS SIGNAL IN DISABLED.



HBRXNO15CON

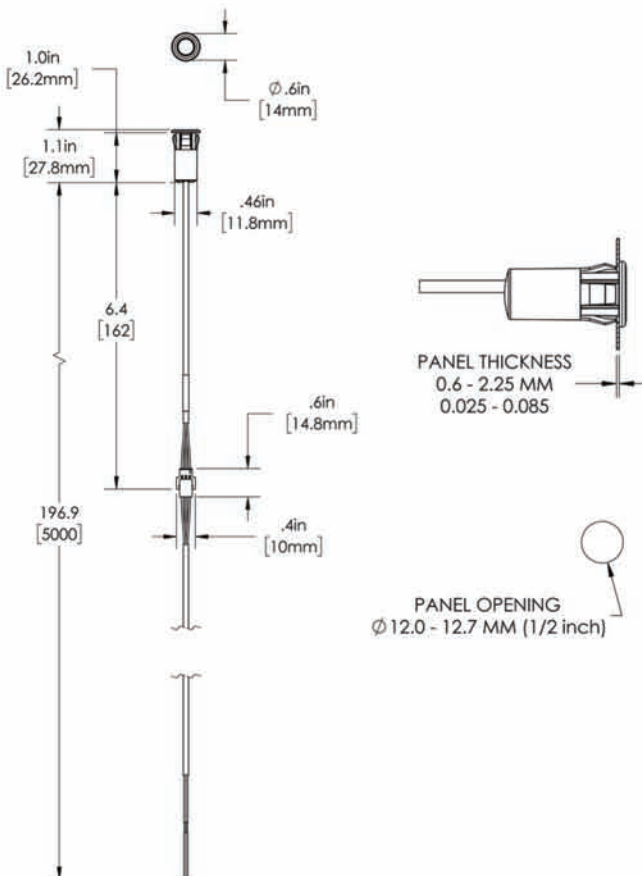
NPN Normally Open Hold Beam Receiver



- Entrance, elevator, and escalator controls
- Range: 0-15m
- Supply voltage: 9 to 30 VDC
- Output: 30 mA
- Operating temperature: -30°C to 70°C
- NPN or PNP types available
- Patented LED ring indicator
- Patented adaptive power technology
- Noise immunity
- Available with or without cable connector
- UL325 approved

Product Description

The MPD HB series beams are a family of general purpose IR sensors, with particular applications in entrance, elevator, and escalator applications. The “quick install” enclosure makes setup simple - just push the beam into a 12mm diameter hole drilled into the wall and it will snap into place. The IP65 housing makes the beams suitable for a wide variety of both indoor and outdoor applications.



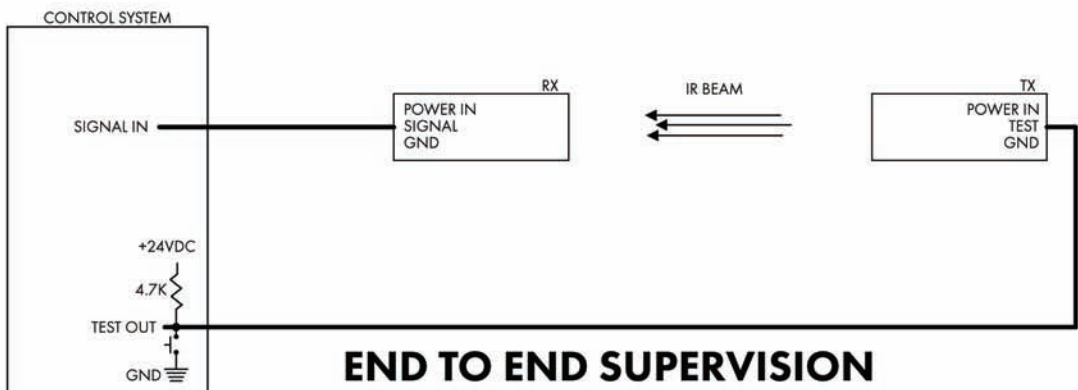
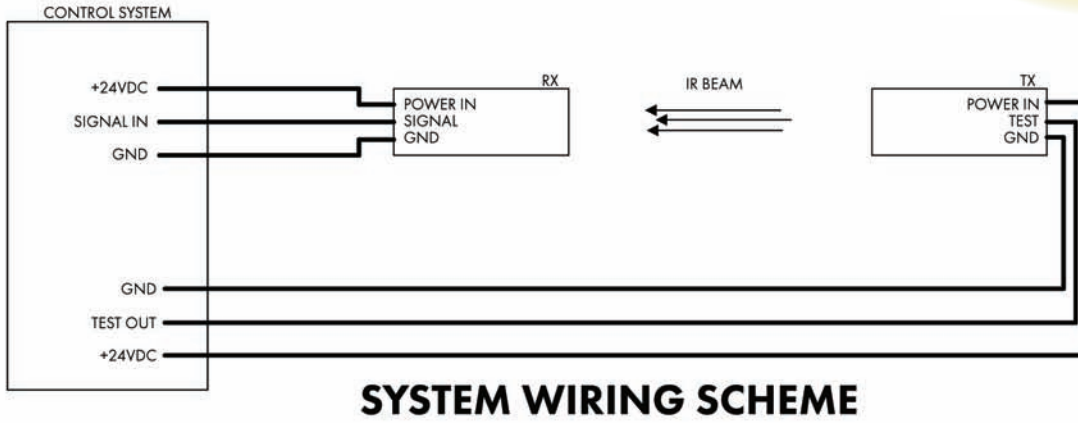
Specifications subject to change without notice (9652-401 Rev 1)

General Specifications

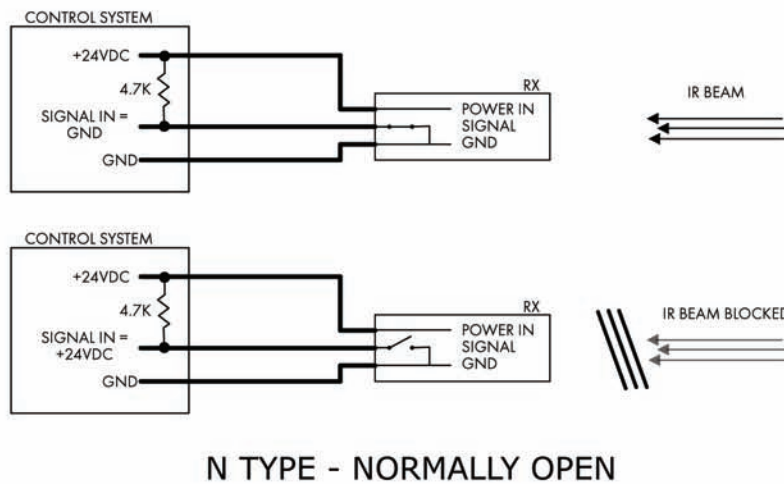
Environment	Overvoltage Capacity Pollution degree Degree of protection	Category III 3 IP65 (IEC60529)
Temperature	Operating Storage	-25° to 60° C -40° to 60° C
Voltage Protection	Rated Insulation Voltage Dielectric Test Voltage	75 VDC 500 VAC RMS (EN60947-1)
ESPE		Type 2
Electrostatic Discharge	Contact Air	≥ 4KV (IEC61000-4-2) ≥ 8KV (IEC61000-4-2)
Impact	Drop Test Side Impact	4 foot drop test Swinging Ball (UL746 sec 57)
Certifications		UL325: E325114 UL60947-1 / 5-2: E517822 CSA C22.2 No. 60947 RoHS and REACH Compliant

Receiver Specifications

Rated Operating Distance	15m	
Blind Zone	None	
Rated Operating Voltage	10-30 VDC	
Supply Current	No load Continuous	≤ 10 mA ≤ 38 mA
Protection	Reverse Polarity ESD	
Utility Categories	DC12 DC13	
Detection	±4° @ 6.5m	



- STEP 1: TEST OUT = FLOATING OR 24VDC, TURNS ON TX IR BEAM.
- STEP 2: CONTROL SYSTEM DETECTS SIGNAL IN ENABLED.
- STEP 3: TEST OUT = GND, TURNS OFF TX IR BEAM.
- STEP 4: CONTROL SYSTEM DETECTS SIGNAL IN DISABLED.



HBRXPO15

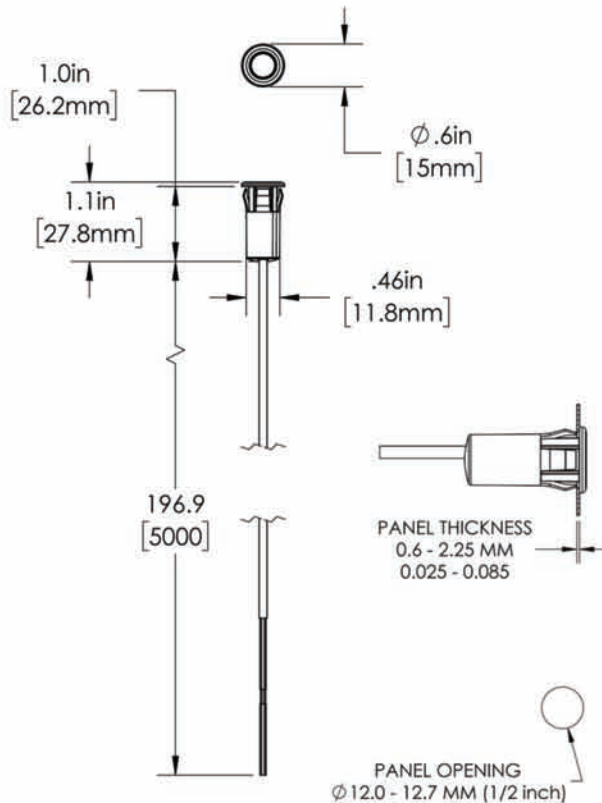
PNP Normally Open Hold Beam Receiver



- Entrance, elevator, and escalator controls
- Range: 0-15m
- Supply voltage: 9 to 30 VDC
- Output: 30 mA
- Operating temperature: -30°C to 70°C
- NPN or PNP types available
- Patented LED ring indicator
- Patented adaptive power technology
- Noise immunity
- Available with or without cable connector
- UL325 approved

Product Description

The MPD HB series beams are a family of general purpose IR sensors, with particular applications in entrance, elevator, and escalator applications. The "quick install" enclosure makes setup simple - just push the beam into a 12mm diameter hole drilled into the wall and it will snap into place. The IP65 housing makes the beams suitable for a wide variety of both indoor and outdoor applications.



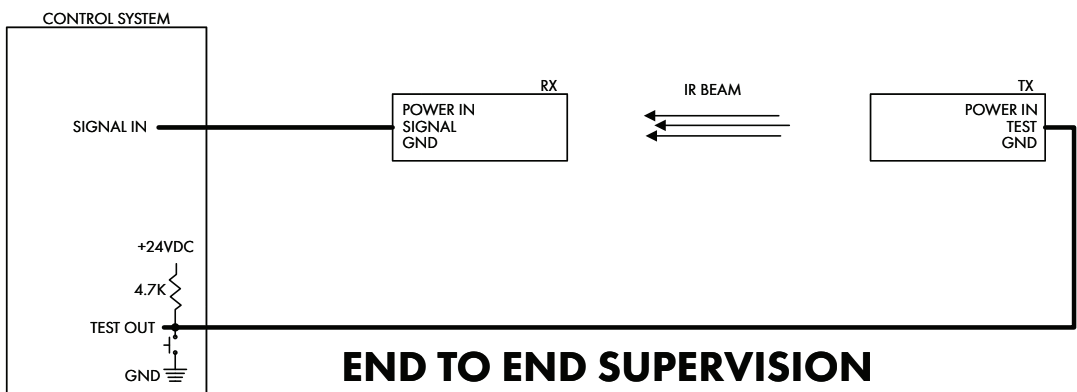
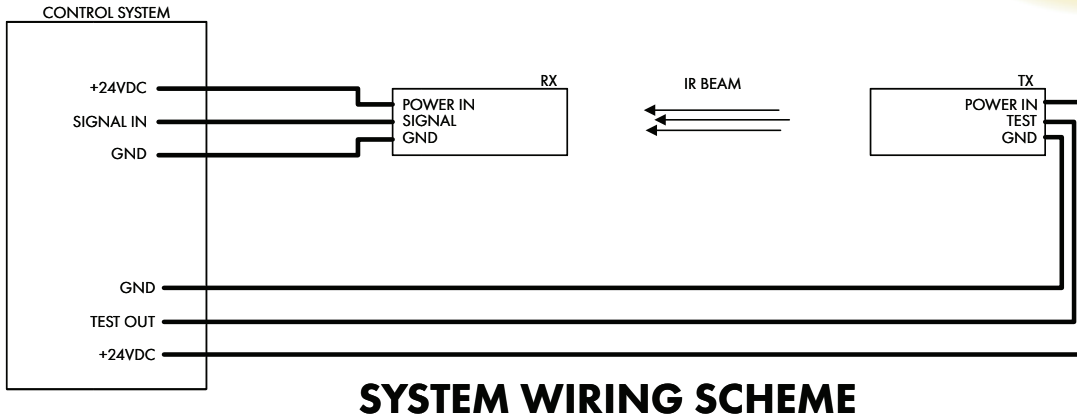
General Specifications

Environment	Overvoltage Capacity Pollution degree Degree of protection	Category III 3 IP65 (IEC60529)
Temperature	Operating Storage	-25° to 60° C -40° to 60° C
Voltage Protection	Rated Insulation Voltage Dielectric Test Voltage	75 VDC 500 VAC RMS (EN60947-1)
ESPE		Type 2
Electrostatic Discharge	Contact Air	≥ 4KV (IEC61000-4-2) ≥ 8KV (IEC61000-4-2)
Impact	Drop Test Side Impact	4 foot drop test Swinging Ball (UL746 sec 57)
Certifications		UL325: E325114 UL60947-1 / 5-2: E517822 CSA C22.2 No. 60947 RoHS and REACH Compliant

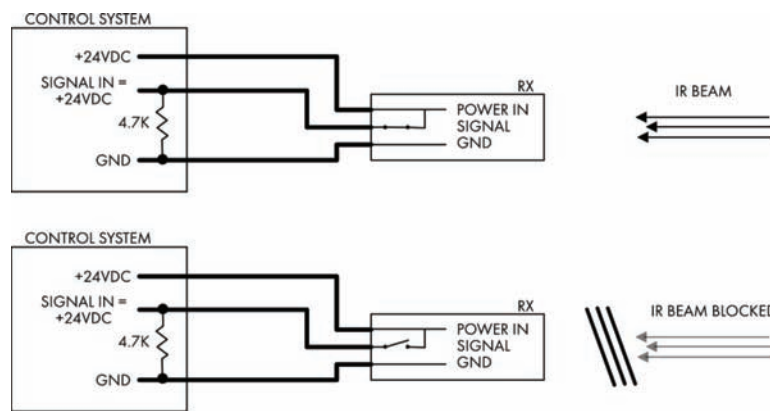
Receiver Specifications

Rated Operating Distance	15m	
Blind Zone	None	
Rated Operating Voltage	10-30 VDC	
Supply Current	No load Continuous	≤ 10 mA ≤ 38 mA
Protection		Reverse Polarity ESD
Utility Categories		DC12 DC13
Detection		±4° @ 6.5m

Specifications subject to change without notice (9652-401 Rev 1)



- STEP 1: TEST OUT = FLOATING OR 24VDC, TURNS ON TX IR BEAM.
- STEP 2: CONTROL SYSTEM DETECTS SIGNAL IN ENABLED.
- STEP 3: TEST OUT = GND, TURNS OFF TX IR BEAM.
- STEP 4: CONTROL SYSTEM DETECTS SIGNAL IN DISABLED.



HBTX15

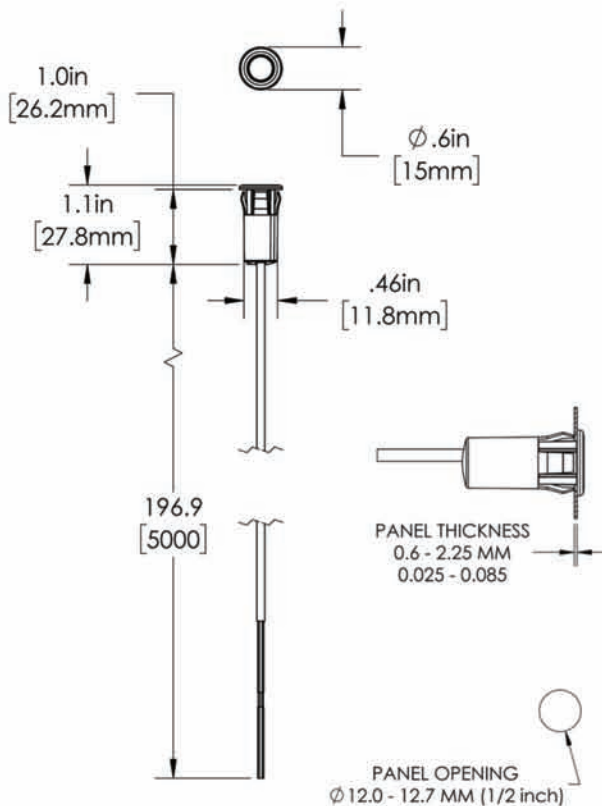
Hold Beam Transmitter



- Entrance, elevator, and escalator controls
- Range: 0-15m
- Supply voltage: 9 to 30 VDC
- Output: 30 mA
- Operating temperature: -30°C to 70°C
- NPN or PNP types available
- Patented LED ring indicator
- Patented adaptive power technology
- Noise immunity
- Available with or without cable connector
- UL325 approved

Product Description

The MPD HB series beams are a family of general purpose IR sensors, with particular applications in entrance, elevator, and escalator applications. The "quick install" enclosure makes setup simple - just push the beam into a 12mm diameter hole drilled into the wall and it will snap into place. The IP65 housing makes the beams suitable for a wide variety of both indoor and outdoor applications.

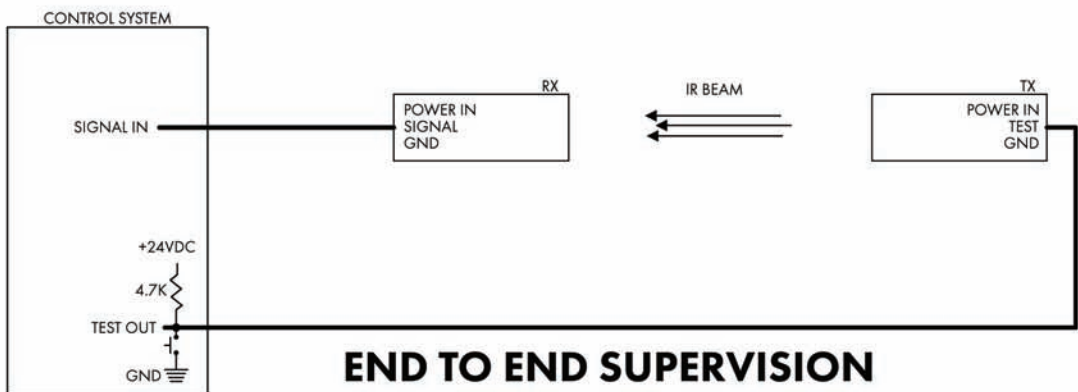
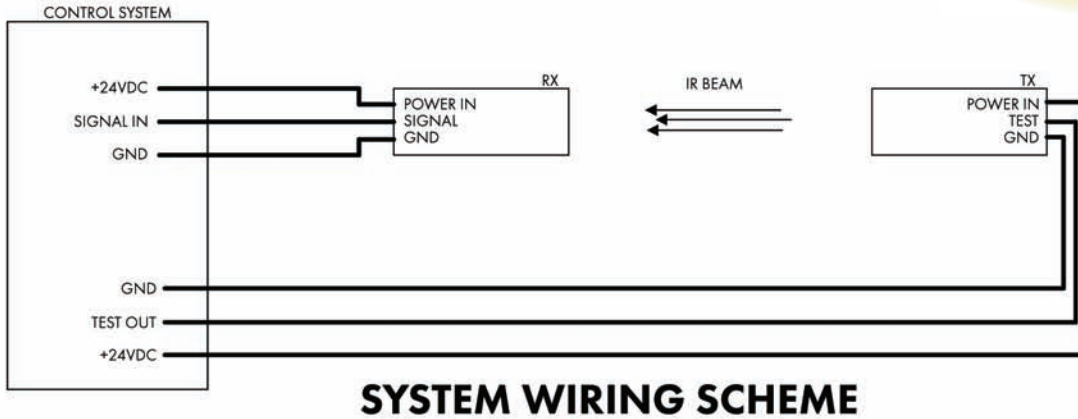


General Specifications

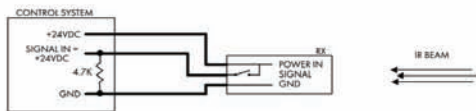
Environment	Overvoltage Capacity Pollution degree Degree of protection	Category III 3 IP65 (IEC60529)
Temperature	Operating Storage	-25° to 60° C -40° to 60° C
Voltage Protection	Rated Insulation Voltage Dielectric Test Voltage	75 VDC 500 VAC RMS (EN60947-1)
ESPE		Type 2
Electrostatic Discharge	Contact Air	≥ 4KV (IEC61000-4-2) ≥ 8KV (IEC61000-4-2)
Impact	Drop Test Side Impact	4 foot drop test Swinging Ball (UL746 sec 57)
Certifications		UL325: E325114 UL60947-1 / 5-2: E517822 CSA C22.2 No. 60947 RoHS and REACH Compliant

Emitter Specifications

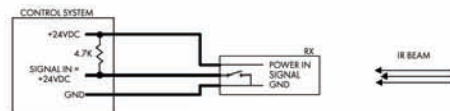
Rated Operating Voltage	10-30 VDC	
Supply Current	≤ 20 mA	
Light	Source Type Spot	IR LED, 950nm IR, Modulated 950 mm @ 10m
Ring Indicator	Normal operation Mute function	Green, on continuous Green flash



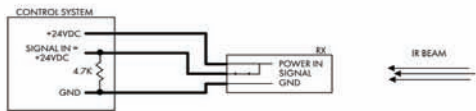
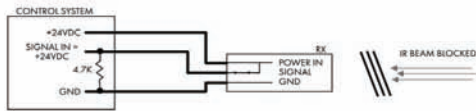
STEP 1: TEST OUT = FLOATING OR 24VDC, TURNS ON TX IR BEAM.
 STEP 2: CONTROL SYSTEM DETECTS SIGNAL IN ENABLED.
 STEP 3: TEST OUT = GND, TURNS OFF TX IR BEAM.
 STEP 4: CONTROL SYSTEM DETECTS SIGNAL IN DISABLED.



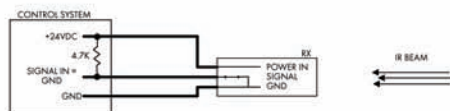
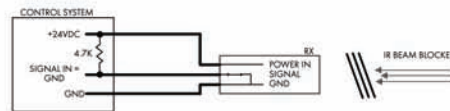
P TYPE - NORMALLY CLOSED



N TYPE - NORMALLY CLOSED



P TYPE - NORMALLY OPEN



N TYPE - NORMALLY OPEN

HBTX15CON

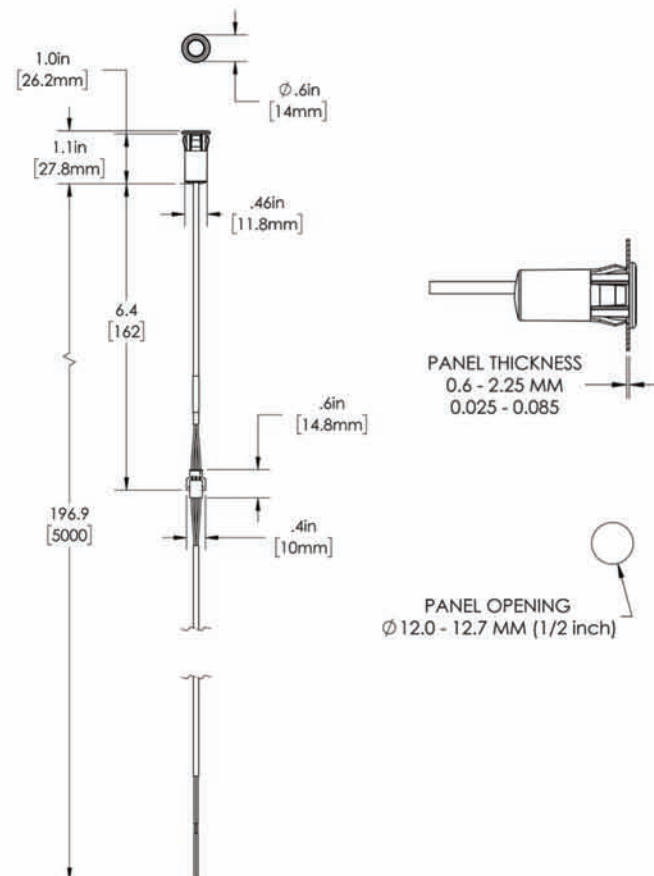
Hold Beam Transmitter



- Entrance, elevator, and escalator controls
- Range: 0-15m
- Supply voltage: 9 to 30 VDC
- Output: 30 mA
- Operating temperature: -30°C to 70°C
- NPN or PNP types available
- Patented LED ring indicator
- Patented adaptive power technology
- Noise immunity
- Available with or without cable connector
- UL325 approved

Product Description

The MPD HB series beams are a family of general purpose IR sensors, with particular applications in entrance, elevator, and escalator applications. The "quick install" enclosure makes setup simple - just push the beam into a 12mm diameter hole drilled into the wall and it will snap into place. The IP65 housing makes the beams suitable for a wide variety of both indoor and outdoor applications.



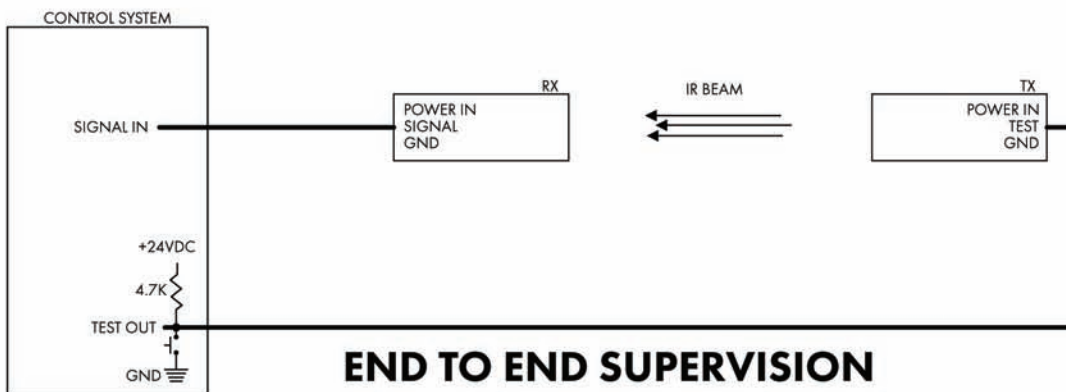
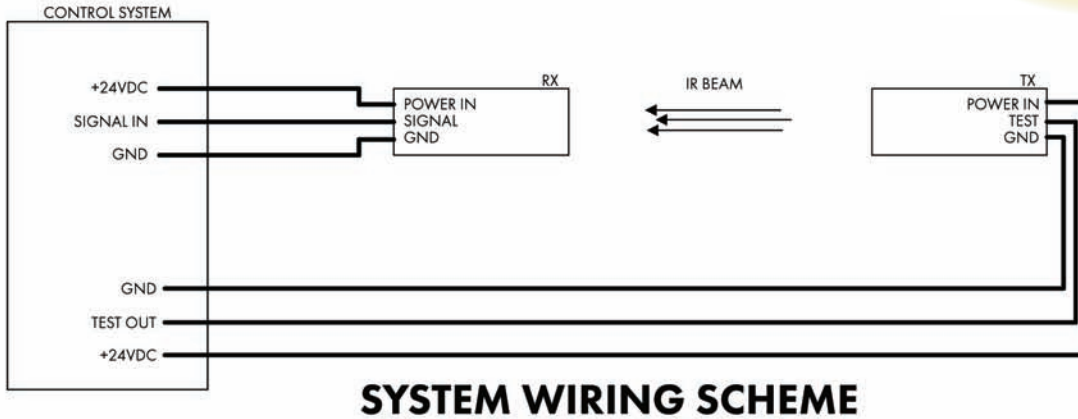
General Specifications

Environment	Overvoltage Capacity Pollution degree Degree of protection	Category III 3 IP65 (IEC60529)
Temperature	Operating Storage	-25° to 60° C -40° to 60° C
Voltage Protection	Rated Insulation Voltage Dielectric Test Voltage	75 VDC 500 VAC RMS (EN60947-1)
ESPE		Type 2
Electrostatic Discharge	Contact Air	≥ 4KV (IEC61000-4-2) ≥ 8KV (IEC61000-4-2)
Impact	Drop Test Side Impact	4 foot drop test Swinging Ball (UL746 sec 57)
Certifications		UL325: E325114 UL60947-1 / 5-2: E517822 CSA C22.2 No. 60947 RoHS and REACH Compliant

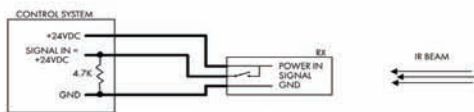
Emitter Specifications

Rated Operating Voltage	10-30 VDC	
Supply Current	≤ 20 mA	
Light	Source Type Spot	IR LED, 950nm IR, Modulated 950 mm @ 10m
Ring Indicator	Normal operation Mute function	Green, on continuous Green flash

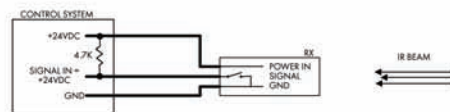
Specifications subject to change without notice (9652-401 Rev 1)



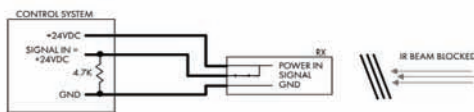
STEP 1: TEST OUT = FLOATING OR 24VDC, TURNS ON TX IR BEAM.
 STEP 2: CONTROL SYSTEM DETECTS SIGNAL IN ENABLED.
 STEP 3: TEST OUT = GND, TURNS OFF TX IR BEAM.
 STEP 4: CONTROL SYSTEM DETECTS SIGNAL IN DISABLED.



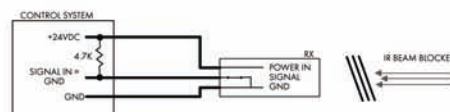
P TYPE - NORMALLY CLOSED



N TYPE - NORMALLY CLOSED



P TYPE - NORMALLY OPEN



N TYPE - NORMALLY OPEN

Recent Additions to Our Standard Product Lines



SALES@12V-PARTS.COM



AE602-15



AP-113



AS212-G



BF308



BF308-C



BF357
BF357S



AS216

SALES@FUSEHOLDERS.COM



BF101



BF102



BF103B



BF104



BF110

Panel Mount Fuse Holders

SALES@BATTERYHOLDERS.COM



BK-110



BK-112



BK-118



BK-120



BK-122

New Leaf Spring Contact Line

Distributors

Asian Distributors

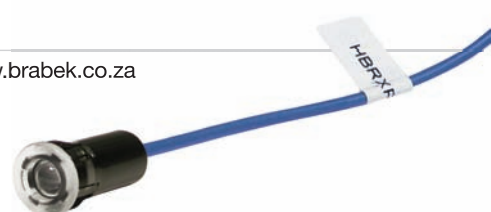
Digi-Key	Worldwide	(800) 344-4539	www.digikey.com/us/en/International/global.html
Online Components	Online	(888) 906-8217	www.onlinecomponents.com
AddCom	China (Shanghai)	(86) 2154357506	www.addcom.com.sg
AddCom	China (Shenzhen)	(86) 75583864328	www.addcom.com.sg
AddCom	China (Hong Kong)	(852) 29470728	www.addcom.com.sg
Gagner	China (Shanghai)	(86) 2154315716	www.gagnerproducts.com
Gagner	China (Shen Zhen City)	(86) 75583662671	www.gagnerproducts.com
QuadRep	China (Beijing)	(86) 1062123833	www.quadrep.com.cn
QuadRep	China (Shanghai)	(86) 2163175445	www.quadrep.com.cn
QuadRep	China (Beijing)	(86) 2425621468	www.quadrep.com.cn
Gagner	Hong Kong (Hong Kong)	(852) 28927311	www.gagnerproducts.com
Master Electronics	HongKong (Tsuen Wan)	(852) 35911701	www.masterelectronics.com
AddCom	Indonesia (Singapore)	(65) 68442788	www.addcom.com.sg
AddCom	India (Faridabad)	(91) 01294000408	addcom.com.sg
Tamuz Electronics Ltd.	Israel (Kfar-Saba)	(972) 97633000	www.tamuz-ele.com
AddCom	Japan	(65) 68442788	www.addcom.com.sg
Kaztech	Japan (Tokyo)	(81) 0333877611	www.kaztech.co.jp
AddCom	South Korea (Seoul)	(65) 68442788	www.addcom.com.sg
AddCom	Malaysia (Bayan Lepas Penang)	(60) 46469223	www.addcom.com.sg
Gagner	Malaysia (Puchong, Selangor)	(60) 45075088	www.gagnerproducts.com
Master Electronics	Malaysia (Penang)	(604) 530-1128	www.masterelectronics.com
QuadRep	Malaysia (Penang)	(60) 46581771	www.quadrep.com.sg
AddCom	Philippines (Singapore)	(65) 68442788	www.addcom.com.sg
QuadRep	Philippines (Las Piñas City)	(63) 28052879	www.quadrep.com.sg
AddCom	Singapore (Singapore)	(65) 68442788	www.addcom.com.sg
Gagner	Singapore (TechPark)	(65) 68489430	www.gagnerproducts.com
QuadRep	Singapore (Singapore)	(65) 63461933	www.quadrep.com.cn
AddCom	Thailand (Laksi Bangkok)	(66) 25761988	www.addcom.com.sg
Gagner	Thailand (Bangkok)	(66) 267548146	www.gagnerproducts.com
AddCom	Taiwan (New Taipei City)	(886) 921128259	www.addcom.com.sg
QuadRep	Taiwan (Bangkok)	(886) 226989933	www.quadrep.com.cn
QuadRep Electronics (Hsinchu office)	Taiwan (Taipei)	(886) 35737853	www.quadrep.com.tw
AddCom	Vietnam (Ho Chi Minh City)	(08) 38107677	www.addcom.com.sg
Quadrep Vietnam (Ho Chi Minh)	Vietnam (Ho Chi Minh City)	(84) 87262981	www.quadrep.com.sg
Quadrep Vietnam Office Hanoi	Vietnam (Hanoi)	(84) 0936484282	www.quadrep.com.sg

Australian/Oceanic Distributors

Digi-Key	Worldwide	(800) 344-4539	www.digikey.com/us/en/International/global.html
Online Components	Online	(888) 906-8217	www.onlinecomponents.com
Master Instruments	Australia (Sydney)	(61) 295191200	www.master-instruments.com.au
Active Components	New Zealand (Auckland)	(64) 94439500	www.activecomponents.com

Africa

Brabek PTY	South Africa (Cape Town)	(27) 021 706-3162	www.brabek.co.za
------------	--------------------------	-------------------	--



Our list of distributors continues on the following page.

Distributors (continued from previous page)

Global Catalog Distributors

Digi-Key	Worldwide	(800) 344-4539	www.digikey.com/us/en/International/global.html
Online Components	Online	(888) 906-8217	www.onlinecomponents.com

North American Distributors

ElectroSonic	Canada (Montreal QC)	514-748-7942	www.e-sonic.com
ElectroSonic	Canada (Markham, ON)	905-946-0500	www.e-sonic.com
ElectroSonic	Canada (Vancouver, BC)	604-273-2911	www.e-sonic.com
Inventus Power	Mexico (Tijuana)	(52) 6642314832	www.inventuspower.com
Master Electronics	Mexico (Zapopan)	(33) 21534181	www.masterelectronics.com
Custom Power LLC	USA (Fountain Valley, CA)	1-800-432-3385	www.custompower.com
Excel Components & Supply	USA (Holtsville, NY)	1-631-475-1100	www.excelcomp.com
Inventus Power	USA (Woodridge IL)	1-630-410-7900	www.inventuspower.com
Master Electronics	USA (Phoenix AZ)	1-602-267-1111	www.masterelectronics.com
Master Electronics	USA (Eden Prairie ,MN)	1-952-944-2151	www.masterelectronics.com
Master Electronics	USA (Tampa, FL)	1-813-814-2900	www.masterelectronics.com
Master Electronics	USA (Santa Clara, CA)	1-408-970-8090	www.masterelectronics.com
Master Electronics	USA (Bohemia, NY)	1-631-434-9394	www.masterelectronics.com
Master Electronics	USA (Redmond, WA)	1-425-821-5454	www.masterelectronics.com
Master Electronics	USA (Santa Monica, CA)	1-310-452-1229	www.masterelectronics.com
Master Electronics	USA (Miami, FL)	1-305-638-2000	www.masterelectronics.com
Source Research	USA (Schaumburg, IL)	1-800-356-0259	www.sourceresearch.com
Taylor/Master Electronics	USA (Germantown, WI)	1-414-365-6335	www.taylorwisconsin.com

European Distributors

Digi-Key	Worldwide	(800) 344-4539	www.digikey.com/us/en/International/global.html
Online Components	Online	(888) 906-8217	www.onlinecomponents.com
Ineltro	Austria (Wien)	(43) 0161062136	www.ineltro.eu
Ineltro	Switzerland (Regensdorf)	(41) 433437300	www.ineltro.ch
Rossmann Electronic	Germany (Dießen am Ammersee)	(49) 8807949940	www.rossmannweb.de/index.php?lang=de
RC Microelectronica	Spain (Barcelona)	(34) 932602166	www.rcmicro.es
Sorelec Electronics	France (Cesson-Sevigne)	(33) 299837854	www.sorelec.com/l-actu/87-sorelec-distribue-les-solutions-mpd.html
Dissios SA Batteries	Greece (Paiania)	(30) 2106647333	www.batteries.gr/en/rechargeable/accessories/holders.html
HT Componenti Elettronici srl	Italy (Firenze)	(39) 055430310	it.kompass.com/c/ht-componenti-elettronici-srl/it0179298/
Nedelko	Netherlands (Barendrecht)	(31) 180645400	www.nedelko.nl
OEM Electronics AB	Denmark (Allerød)	(46) 087328560	www.oemelectronics.se/leverantorer/mpd
OEM Electronics AB	Norway (Drammen)	(46) 087328560	www.oemelectronics.se/leverantorer/mpd
OEM Electronics Poland	Poland (Warszawa)	(48) 22-86 32 722	www.oemelectronics.pl/
OEM Electronics AB	Sweden (TRANÅS)	(46) 087328560	www.oemelectronics.se/leverantorer/mpd

South American Distributors

Inventus Power	Brazil (Manus)	(55) 92 2126 6400	www.inventuspower.com
Power Circuit EletrônicaLtda.	Brazil (São Paulo)	(55) 11-3981-3965	www.powercircuit.com.br



MEMORY PROTECTION DEVICES, INC.

Certified ISO9001:2015

Visit our Website for a complete list of our products.
www.safetysensorbeams.com
www.memoryprotectiondevices.com
 We specialize in custom parts!
sales@safetysensorbeams.com

200 BROAD HOLLOW RD., SUITE 4, FARMINGDALE, NY 11735, USA